



The Choice is Ezi!

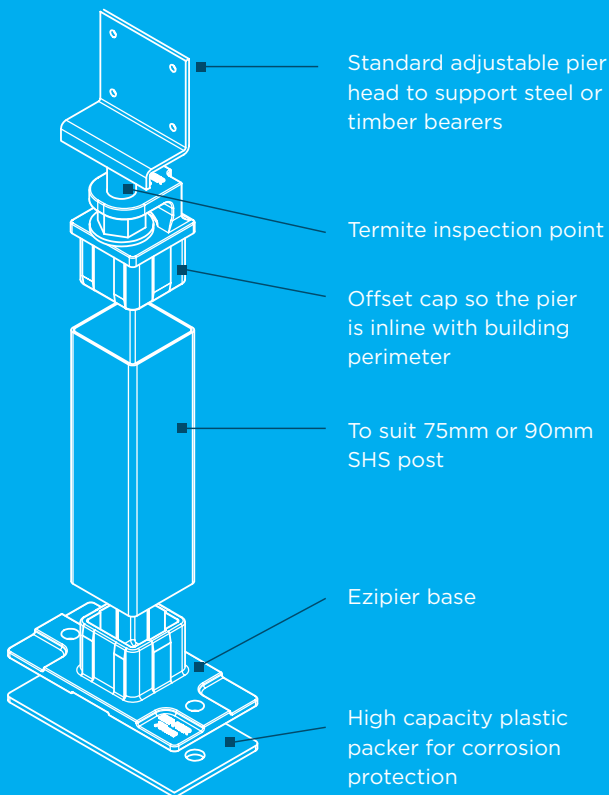
The adjustable Ezipier pier makes it quick and easy to achieve the right height for your floor - it's the affordable site solution!

Why your choice is 'Ezi'?

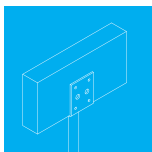
- Ideal for steel and timber floors
- Range of adjustable heads
- Hot dipped galvanised
- High capacity - fully engineered
- Suits 75x75 and 90x90 SHS posts
- Offset to line up with building perimeter

ezipier™

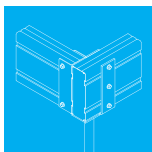
We've done the thinking for you



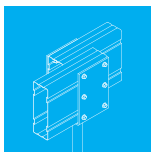
ADJUSTABLE HEADS TO SUIT ALL FLOOR DESIGNS.



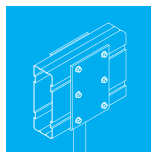
FOR TIMBER
(75 MM WIDE)



FOR CORNER



FOR DOUBLE
BEARERS



FOR HEAVY
DUTY LOADS

SPANTEC™
THINKING FOR THE BUILDER

P: 02 4860 1000
E: sales@spantec.com.au
www.spantec.com.au