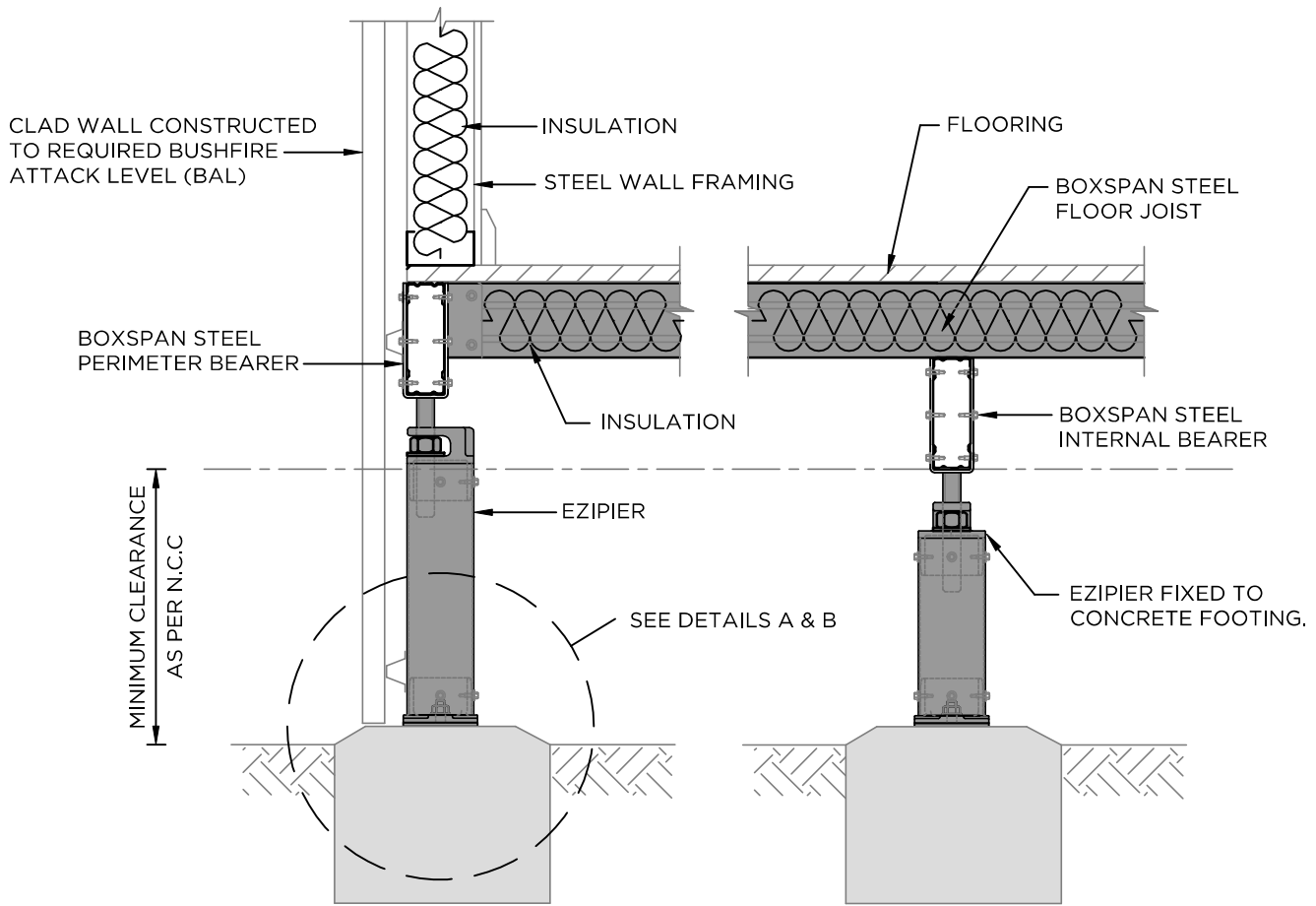
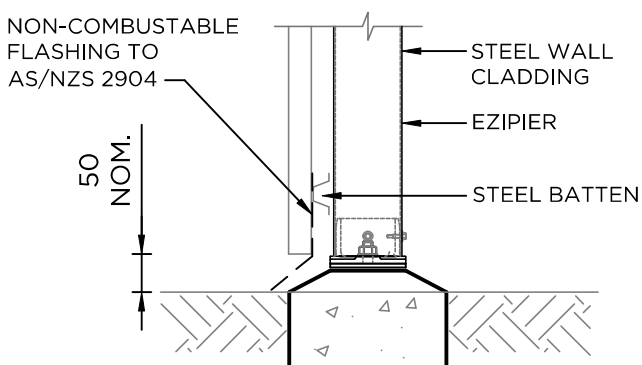


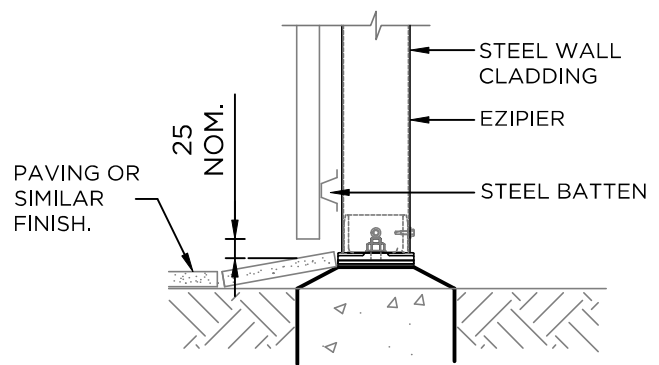
BAL-12.5 TO BAL-FZ



BOXSPAN RAISED PERIMETER SYSTEM
SUSPENDED STEEL FLOOR SYSTEM - ENCLOSED SUB-FLOOR



DETAIL A



DETAIL B

TO BE READ IN CONJUNCTION WITH THE FOLLOWING STANDARDS & WEBSITE:
 ● NASH STANDARD STEEL FRAMED CONSTRUCTION IN BUSHFIRE AREAS ● AUSTRALIAN STANDARD AS 3959-2009.
www.spantec.com.au/solutions/building-in-bushfire-prone-areas